







MANUAL

DA35591

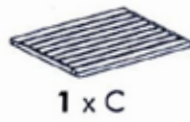
| | |
|----------------------------------------------------------------------------------|--------|
|  | 12 x a |
|  | 6 x b |
|  | 2 x c |
|  | 4 x d |
|  | 1 x e |
|  | 2 x f |



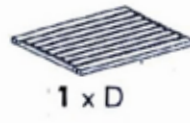
1 x A



1 x B



1 x C



1 x D



1 x E



1 x F



1 x I



1 x G



1 x H



1 x J

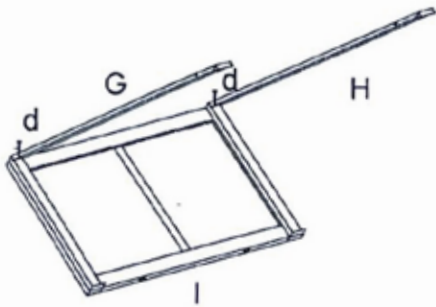


1 x K

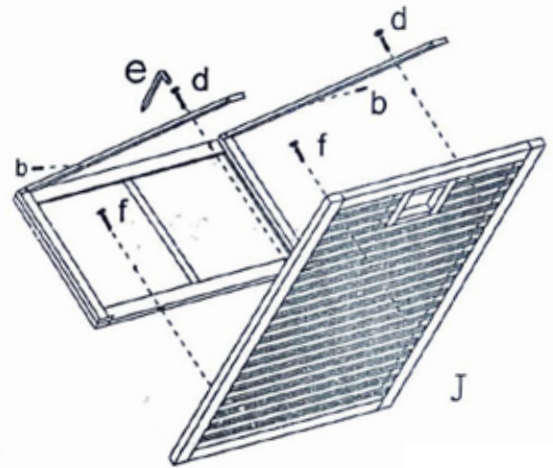


1 x L

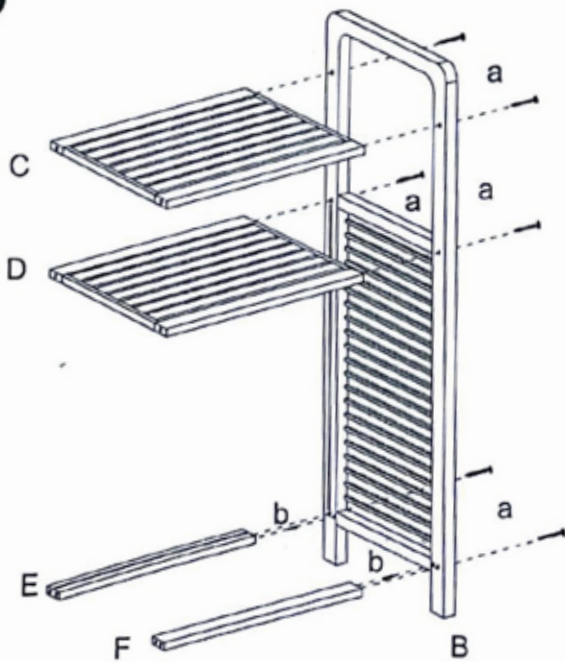
1



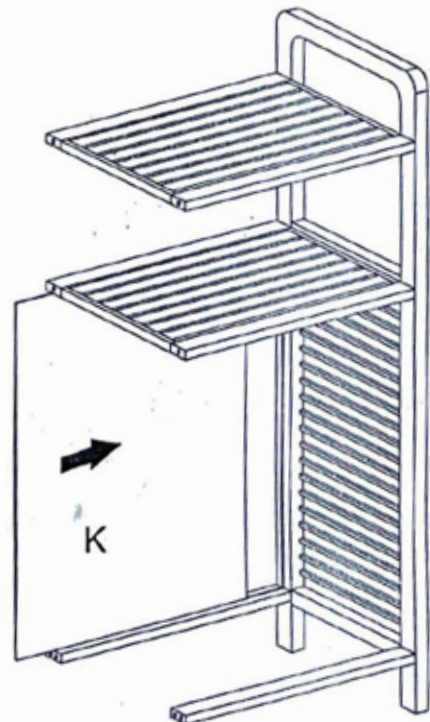
2



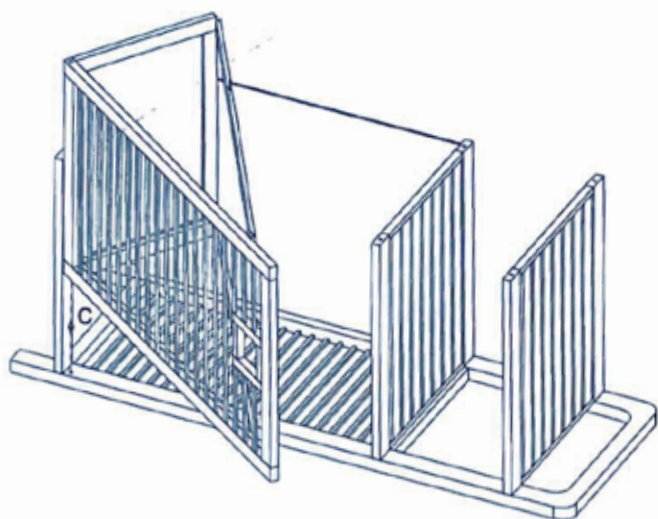
3



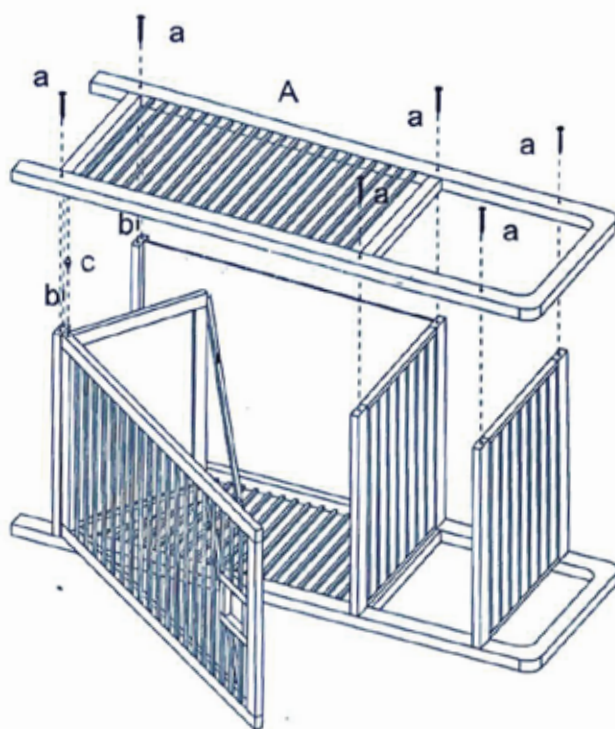
4



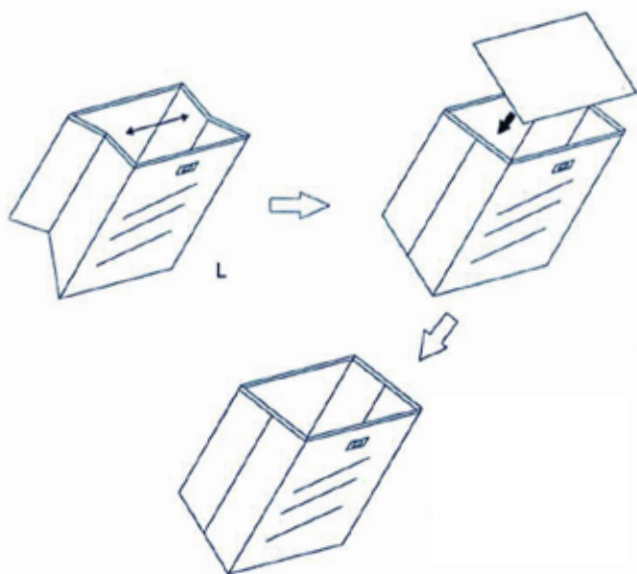
5



6



7



8

